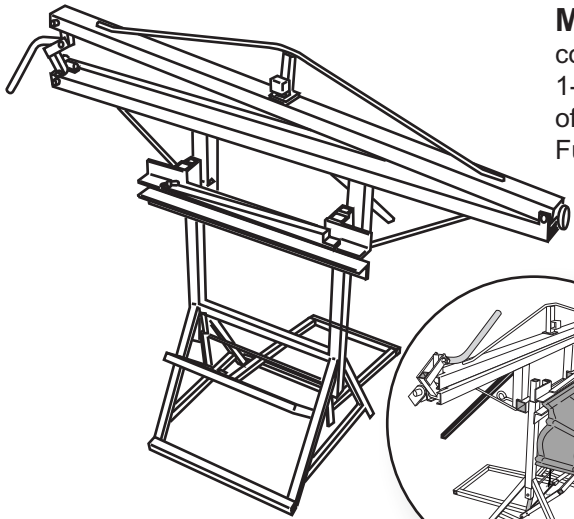


# Installation Kit



## **METRO INSTALLATION KIT** (Part No. 505104)

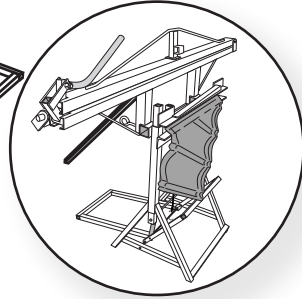
complete kit consisting of:  
1-Footer Bender, 1-Top Bender, 1-Cutter w/ 2 sets  
of legs & 2-Batten Spacers  
Full Kit Weight 165 lbs. (75.00kg)

### **Top Bender** (Part No. 505102)

61"x18"x4", 62 lbs. (28.1kg)

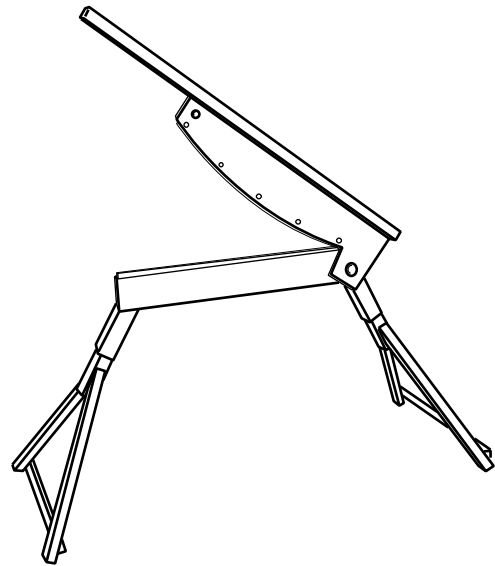
### **Bottom Bender** (Part No. 505103)

34"x20"x16", 46 lbs. (20.9kg)



### **Cutter** (Part No. 505101)

With 2 sets of legs, tall & short. 14"x40"x3", 39lbs. (17.7kg)  
Universal Cutter is used for Tile, Shake-II & Shingle.  
Short legs are used when the cutter is used on the roof.



### **Batten Spacer** (Part No. 508100)

14.5"x7" 2.7 lbs. (1.2kg)  
2 per kit, sold individually.

